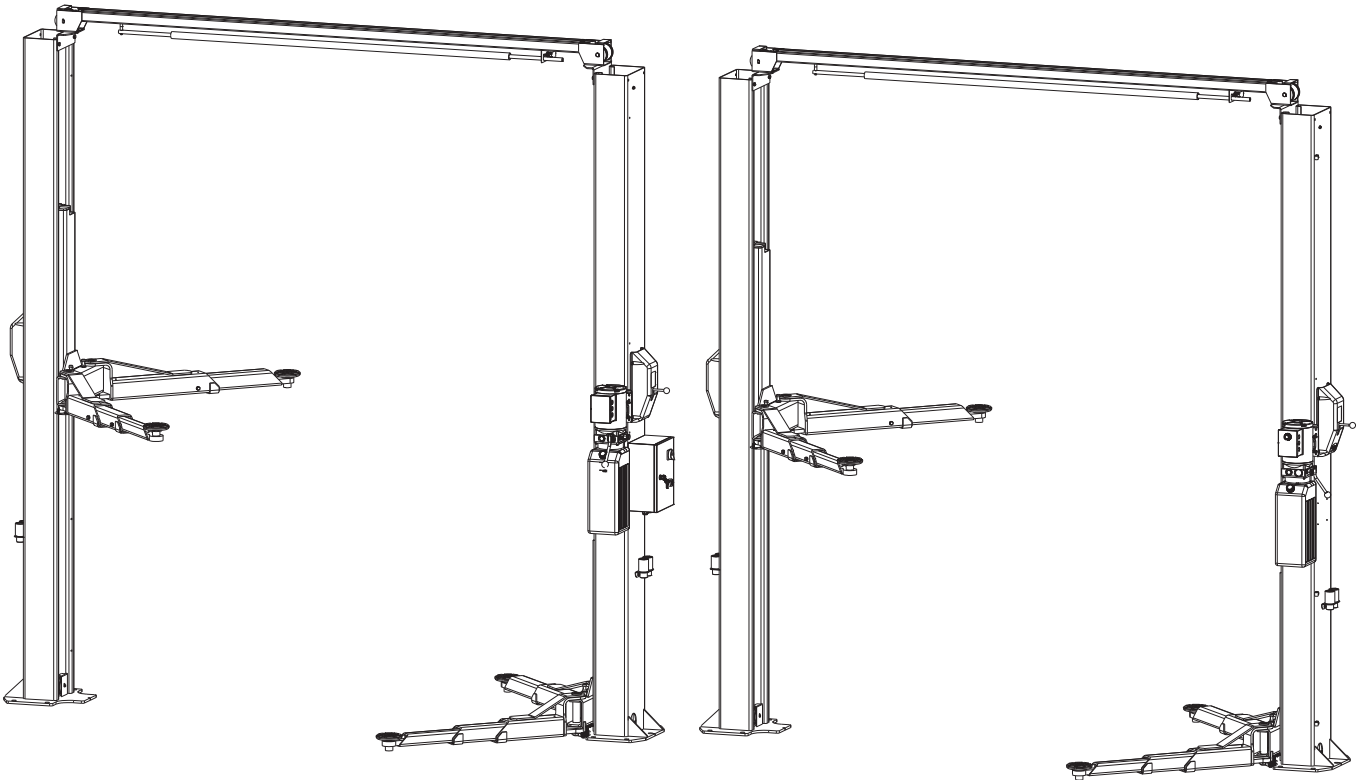
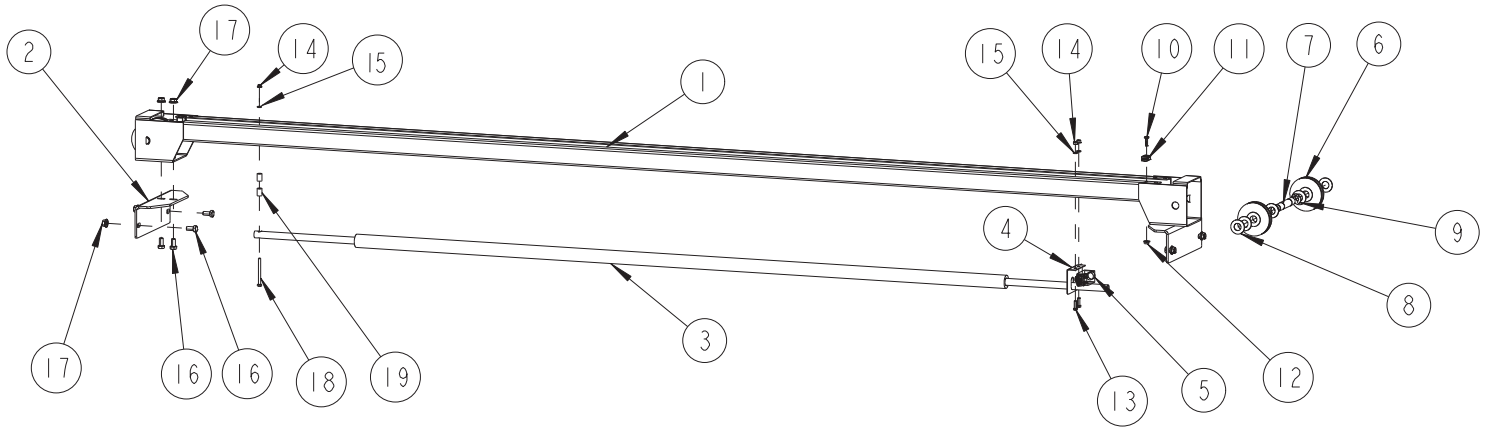


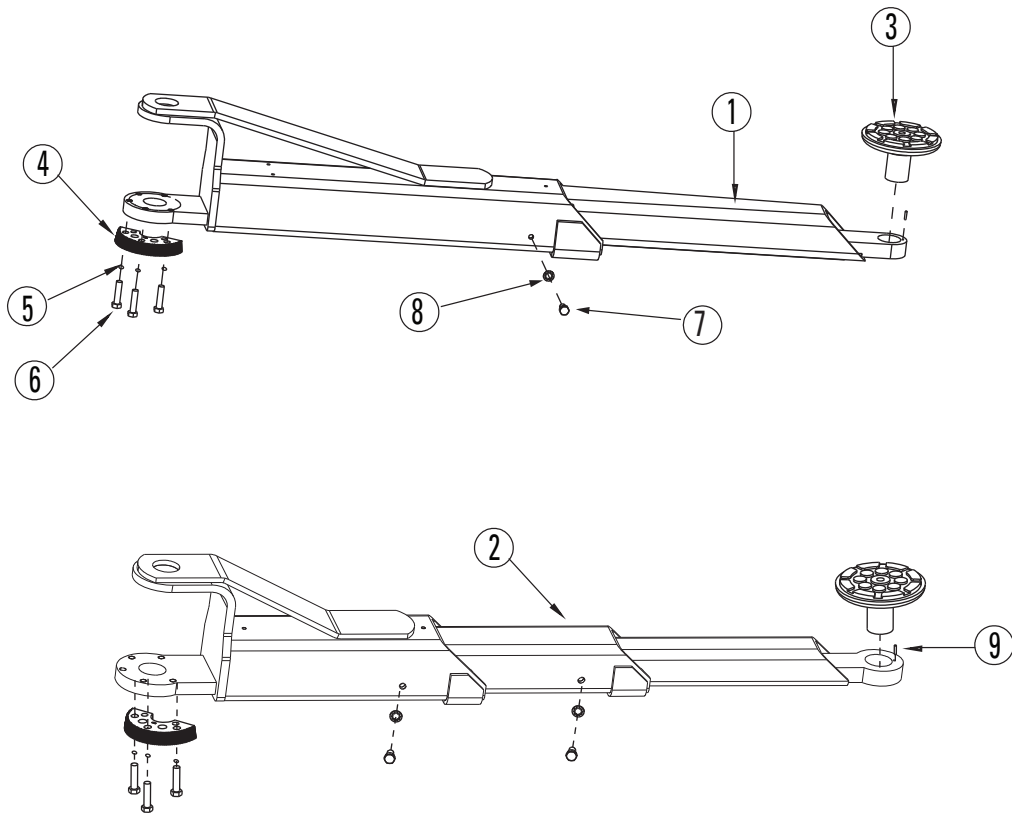
Parts Breakdown

HT40 Two-Post Lift
4,000kg Capacity



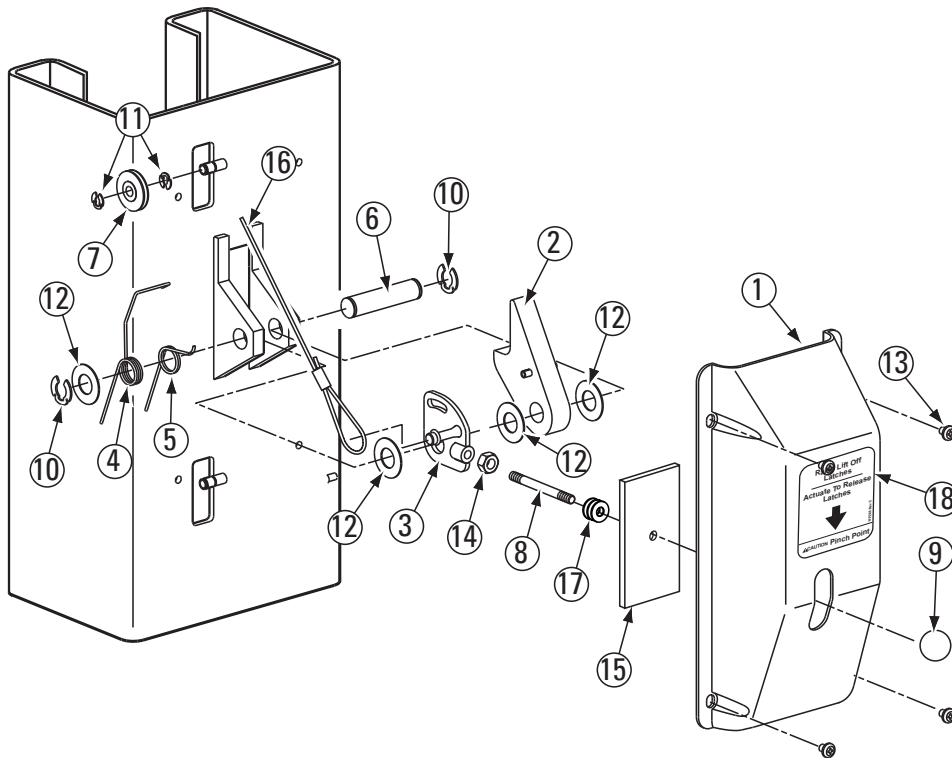


Item	Part#	DESCRIPTION
1	NPB4-4200G	Crossbeam Weldment
2	NPB4-4203	Top Bracket
3	G3T-4202	Limit Bar Assembly
4	G3T-4004A	Limit Switch Bracket
5	NL-GB-BZ-XWX	Limit Switch(With control box)
	NL-GB-BZ-XWX-H	Limit Switch(Without control box)4
6	NPB4-005	Sheave
7	NPB4-4204	Sheave Shaft
8	41388	Washer
9	41411	Klipring For 3/4" Shaft
10	40108	Bolt
11	N619	Latch Cable Bracket
12	40641	1/4"-20NC Flanged Lock Nut
13	B11-6x20	M6-20 Bolt
14	B33-6	Lock Nut
15	B41-6	Washer
16	B11-10x20	M10-20 Bolt
17	B391-10	Flanged Lock Nut
18	B11-6x70	M6-70 Bolt
19	G3T-4003	Spacer



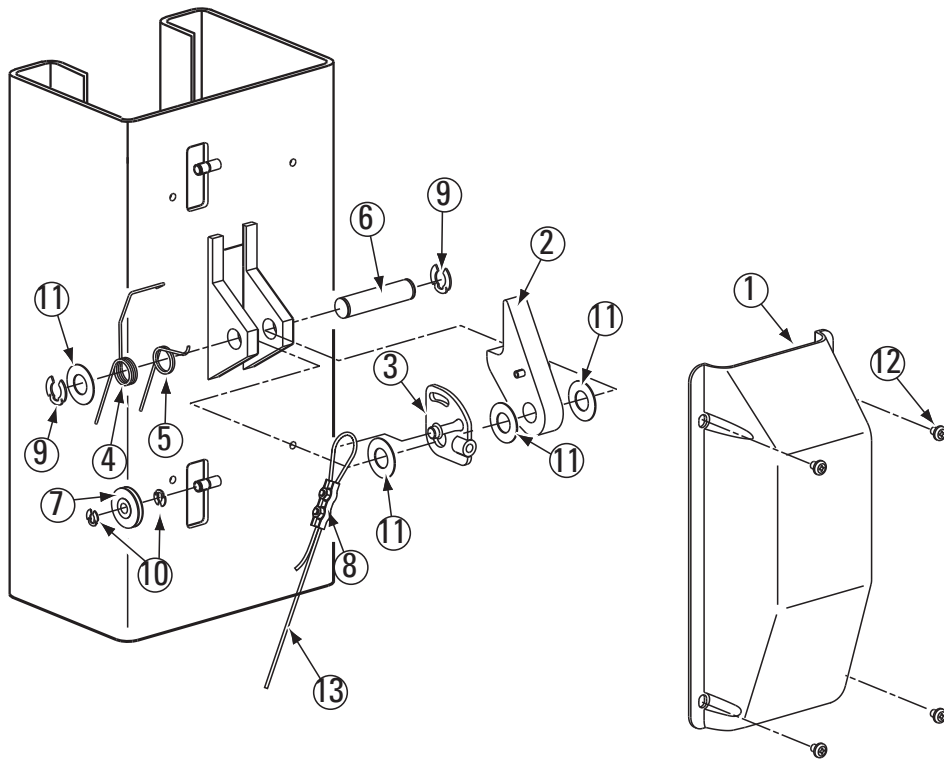
ITEM	PART #	DESCRIPTION
1	NPB4-100	Rear Arm Assembly
2	NPB4-200	Front Arm Assembly
3	NPB4-501	Adapter Assembly
4	N2122Y	Arm Restraint
5	B41-10	φ10 Washer
6	B11-10x40	M10x40 Bolt
7	B11-10x12	M10x12 Bolt
8	B40-10	φ10 Spring Washer
9	B51-3-14	Pin

Locking Latch Detail (Right Column)

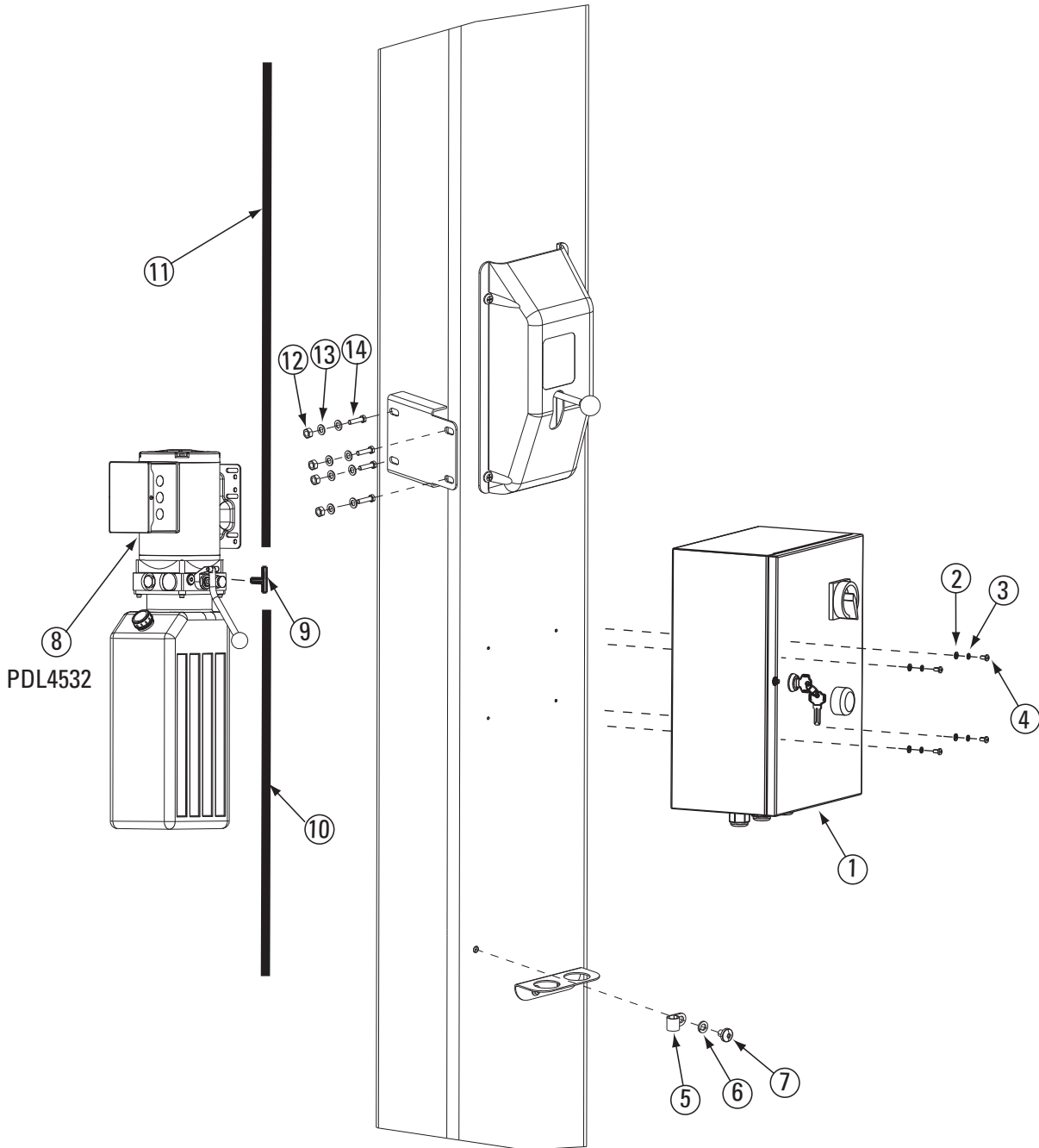


ITEM	PART#	DESCRIPTION
1	TP6-5003G	Control Side Cover
2	TP10-1010	Locking Latch
3	FJ7594-2	Control Plate
4	FJ7566-10Y	Spring
5	FJ7382-9Y	Spring
6	FJ7382-34Y	Latch Shaft
7	FJ7322	Locking Latch Sheave
8	FJ7382-18H	Handle
9	FC134-91	Ball Handle
10	41411	Truarc Klipring #5304-75 for 3/4" Shaft
11	41410	Truarc Klipring #5304-37 for 3/8" Shaft
12	41388	1-1/2" O.D. x 3/4" I.D. x .045" Mach. Bush.
13	40227	5/16"-18NC x 3/8" Lg. PHMS
14	40658	3/8" - 16NC Hex Jam Nut
15	N617	Slot Cover
16	FJ7600	Locking Latch Cable
17	B41-10	10 Flat Washer
18	NP266	Latch Release Decal

Locking Latch Detail (Left Column)



ITEM	PART#	DESCRIPTION
1	TP6-5004G	Latch Cover
2	TP10-1010	Locking Latch
3	FJ7594-2	Control Plate
4	FJ7566-10Y	Spring
5	FJ7382-9Y	Spring
6	FJ7382-34Y	Latch Shaft
7	FJ7322	Locking Latch Sheave
8	N63-1	Latch Cable Clamp
9	41411	Truarc Klipring #5304-75 for 3/4" Shaft
10	41410	Truarc Klipring #5304-37 for 3/8" Shaft
11	41388	1-1/2" O.D. x 3/4" I.D. x .045" Mach. Bush.
12	40227	5/16"-18NC x 3/8" Lg. PHMS
13	FJ7600	Locking Latch Cable



ITEM	PART#	DESCRIPTION
1	NL-GB-BZ-DQ1	3Phase Control Box
2	B41-4	φ4 Washer
3	B40-4	φ4 Spring Washer
4	B23-4x8	M4x8 PHMS
5	G3T-8005	Hose Clamp
6	B41-8	φ8 Washer
7	40227	5/16"-18NC x 3/8" Lg. PHMS
8	PDL4532	Power Unit (With control box)
	PDL4531	Power Unit (Without control box)

ITEM	PART#	DESCRIPTION
9	30400-9051YZ	T-Fitting
10	NPB4-9801-1	Hose
11	NPB4-9801-2	Hose
12	B30-8	M8 Nut
13	B41-8	φ8 Washer
14	B11-8x25	M8x25 Bolt

Vehicle Service GroupSM
2700 Lanier Drive
Madison, IN 47250, USA
1-800-640-5438
www.vsgdover.com



© **Vehicle Service GroupSM**
All Rights Reserved. Unless otherwise
indicated, **Vehicle Service GroupSM**
and all other trademarks are property
of Dover Corporation and its affiliates.