

# PVC 行线槽

INSULATED DISTRIBUTION  
TROUGH

**veKON**

**WE** *are*  
**VEKON**  
**GLOBAL**

# About us

VEKON Global company is a leading provider of high-technology products and complex solutions in the fields of electrical engineering, automation, and engineering infrastructure.

We promote the VEKON brand and its values worldwide, ensuring easy access for our Customers to VEKON innovations through a wide product range, balanced commercial policies, and exceptional Customer service.

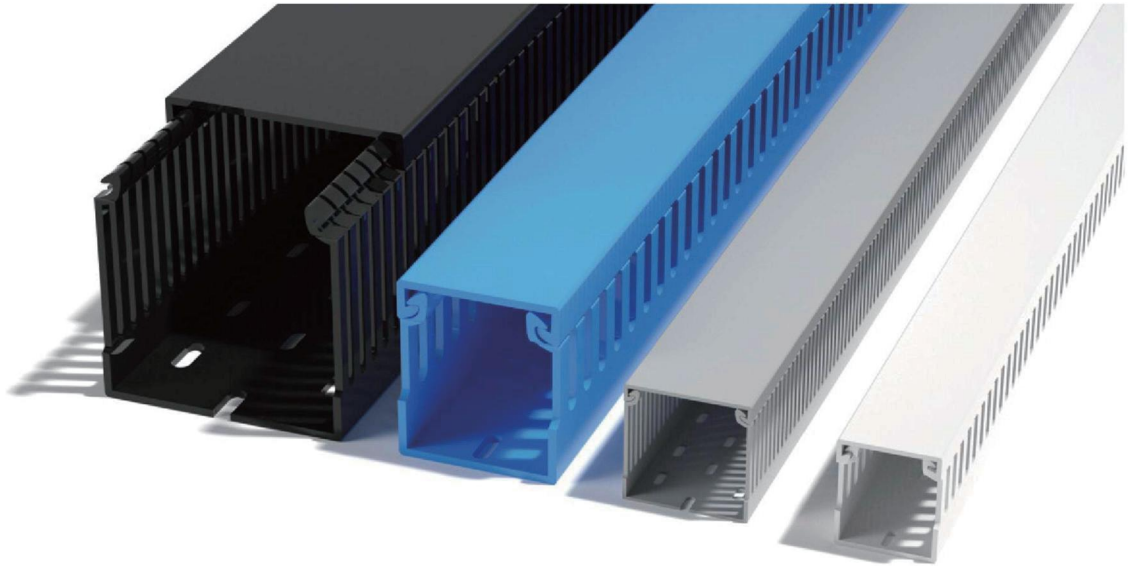
Our core manufacturing facility, Zhejiang VEKON Technology Co., Ltd., located in Yueqing Bay Power Technology Town, Zhejiang Province, China, is a technological leader in modular electrical equipment. Established in 2002, it produces a diverse range of products including RCCB/RCBOs, MCBs, AFDDs, relays, contactors, and signaling and control devices. Manufactured on automated production lines, the facility boasts a daily output of 500,000 units. Our products are exported globally to Europe, the Americas, Southeast Asia, and Africa. Advanced technology, reliable equipment, guaranteed quality, and dedicated technical support have secured a substantial base of loyal customers worldwide. VEKON holds patents on its own designs and its products are CE, SEMKO, KEMA, and other internationally recognized certifications

compliant. Our manufacturing facilities maintain ISO 9001 certification.

In addition to Zhejiang VEKON Technology Co., Ltd., the VEKON brand encompasses over 30 other manufacturing sites across Mainland China. We design, manufacture, and supply a comprehensive range of low – and medium-voltage electrical products (up to 35 kV), as well as a wide array of industrial automation and process control equipment.

VEKON's strategy is built on Partnerships. By collaborating with professional distributors, retailers, panel builders, installers, system integrators, and service centers, we strive to provide seamless customer proximity. At VEKON, responsibility and reputation are paramount. Our greatest reward is the establishment of long-term, mutually beneficial business and personal relationships with our Partners.

Customers and Partners who choose VEKON products can rely on our commitment to VEKON values throughout the entire product lifecycle – from ideation and innovation to manufacturing, reliable supply, comprehensive solution implementation, and comprehensive warranty and post-warranty services.



## 绝缘配线槽PXC-AM系列

### INSULATED DISTRIBUTION TROUGH PXC-AM series

#### ■ 材质 Materials

采用环保硬质PVC，通过ROHS认证，不含铅等有害物质，低烟、环保

Manufactured with high quality rigid PVC, ROHS compliant, low smoke.

■ 防火等级 Flammability rating  
UL94V-0

■ 标准 Compliance

符合EN45545, DIN5510-2

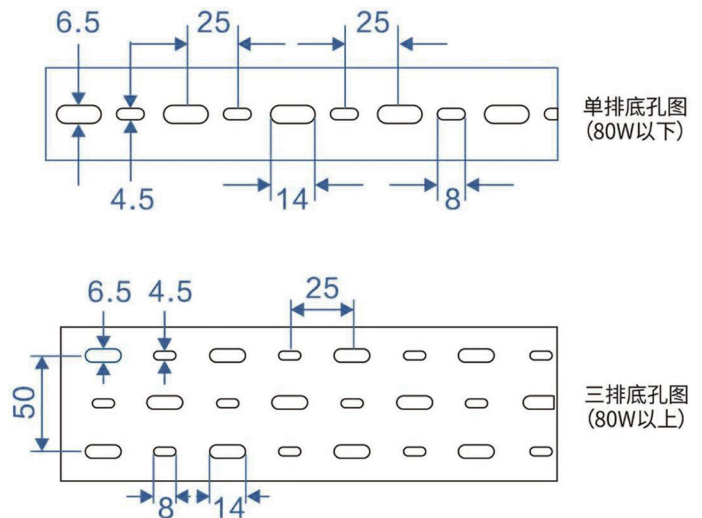
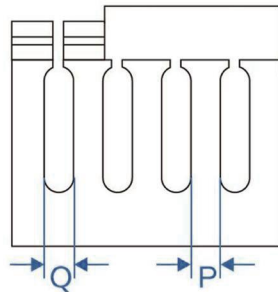
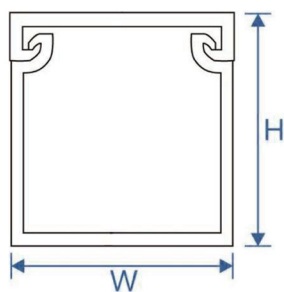
■ 工作温度 Temperature  
-40℃~90℃

■ 颜色 Color  
可定制  
customizable

#### ■ 产品构造 Construction

- 1.槽体与槽盖配合而成，组合容易，不脱落，接合面平滑不伤手。
- 2.槽盖上独特的标记线设计，可使配线标识明确，快捷美观。

- 1.Consist of base and cover, easy to install and secure,smoothing for a better finish.
- 2.Special mark line design on the cover can allow a quick tag of relevant components.



| 序列号<br>Model  | 产品规格(高×宽)<br>Specification(H×W) | 齿距<br>Q | 齿宽<br>P | 包装方式(件/米)<br>Pack(pc/M) | 长度<br>M |
|---------------|---------------------------------|---------|---------|-------------------------|---------|
| PXC-AM-20-15  | 20×15                           | 4.5     | 5.1     | 200                     | 2M      |
| PXC-AM-20-20  | 20×20                           | 4.5     | 5.1     | 100                     | 2M      |
| PXC-AM-25-25  | 25×25                           | 5       | 5.8     | 100                     | 2M      |
| PXC-AM-25-40  | 25×40                           | 5       | 5.8     | 100                     | 2M      |
| PXC-AM-30-15  | 30×15                           | 4.8     | 5.4     | 200                     | 2M      |
| PXC-AM-30-20  | 30×20                           | 5.0     | 6.0     | 100                     | 2M      |
| PXC-AM-30-25  | 30×25                           | 5.0     | 6.0     | 100                     | 2M      |
| PXC-AM-30-30  | 30×30                           | 5.0     | 6.0     | 100                     | 2M      |
| PXC-AM-30-35  | 30×35                           | 5.0     | 6.0     | 100                     | 2M      |
| PXC-AM-30-40  | 30×40                           | 5.0     | 6.0     | 100                     | 2M      |
| PXC-AM-35-30  | 35×30                           | 5.1     | 6.5     | 100                     | 2M      |
| PXC-AM-35-35  | 35×35                           | 5.3     | 6.8     | 100                     | 2M      |
| PXC-AM-35-40  | 35×40                           | 5.3     | 6.8     | 100                     | 2M      |
| PXC-AM-40-25  | 40×25                           | 5.3     | 6.5     | 100                     | 2M      |
| PXC-AM-40-30  | 40×30                           | 5.3     | 6.5     | 100                     | 2M      |
| PXC-AM-40-35  | 40×35                           | 5.5     | 7.0     | 100                     | 2M      |
| PXC-AM-40-40  | 40×40                           | 5.5     | 7.0     | 100                     | 2M      |
| PXC-AM-40-60  | 40×60                           | 5.5     | 7.0     | 60                      | 2M      |
| PXC-AM-45-25  | 45×25                           | 5.5     | 6.3     | 100                     | 2M      |
| PXC-AM-45-32  | 45×32                           | 5.8     | 6.8     | 100                     | 2M      |
| PXC-AM-45-45  | 45×45                           | 5.8     | 6.8     | 100                     | 2M      |
| PXC-AM-50-25  | 50×25                           | 6.0     | 6.7     | 100                     | 2M      |
| PXC-AM-50-30  | 50×30                           | 6.0     | 6.7     | 100                     | 2M      |
| PXC-AM-50-35  | 50×35                           | 6.3     | 7.0     | 100                     | 2M      |
| PXC-AM-50-40  | 50×40                           | 6.3     | 7.0     | 100                     | 2M      |
| PXC-AM-50-45  | 50×45                           | 6.3     | 7.0     | 100                     | 2M      |
| PXC-AM-50-50  | 50×50                           | 6.3     | 7.0     | 100                     | 2M      |
| PXC-AM-50-55  | 50×55                           | 6.3     | 7.0     | 100                     | 2M      |
| PXC-AM-50-60  | 50×60                           | 6.3     | 7.0     | 60                      | 2M      |
| PXC-AM-50-80  | 50×80                           | 6.3     | 7.0     | 60                      | 2M      |
| PXC-AM-50-100 | 50×100                          | 6.0     | 6.7     | 60                      | 2M      |
| PXC-AM-60-25  | 60×25                           | 7.0     | 8.0     | 100                     | 2M      |

| 序列号<br>Model   | 产品规格(高×宽)<br>Specification(H × W) | 齿距<br>Q | 齿宽<br>P | 包装方式(件/米)<br>Pack(pc/M) | 长度<br>M |
|----------------|-----------------------------------|---------|---------|-------------------------|---------|
| PXC-AM-60-35   | 60 × 35                           | 7.0     | 8.0     | 100                     | 2M      |
| PXC-AM-30-40   | 60 × 40                           | 7.0     | 8.0     | 100                     | 2M      |
| PXC-AM-60-50   | 60 × 50                           | 7.0     | 8.0     | 60                      | 2M      |
| PXC-AM-60-60   | 60 × 60                           | 7.0     | 8.0     | 60                      | 2M      |
| PXC-AM-60-80   | 60 × 80                           | 7.0     | 8.0     | 60                      | 2M      |
| PXC-AM-60-100  | 60 × 100                          | 7.0     | 8.0     | 48                      | 2M      |
| PXC-AM-65-25   | 65 × 25                           | 6.8     | 7.8     | 100                     | 2M      |
| PXC-AM-65-32   | 65 × 32                           | 6.8     | 7.8     | 100                     | 2M      |
| PXC-AM-65-45   | 65 × 45                           | 6.8     | 7.8     | 100                     | 2M      |
| PXC-AM-65-65   | 65 × 65                           | 6.8     | 7.8     | 60                      | 2M      |
| PXC-AM-80-25   | 80 × 25                           | 8.0     | 9.0     | 60                      | 2M      |
| PXC-AM-80-30   | 80 × 30                           | 8.0     | 9.0     | 60                      | 2M      |
| PXC-AM-80-35   | 80 × 35                           | 8.0     | 9.0     | 60                      | 2M      |
| PXC-AM-80-40   | 80 × 40                           | 8.5     | 9.5     | 60                      | 2M      |
| PXC-AM-80-45   | 80 × 45                           | 8.5     | 9.5     | 60                      | 2M      |
| PXC-AM-80-50   | 80 × 50                           | 8.5     | 9.5     | 60                      | 2M      |
| PXC-AM-80-55   | 80 × 55                           | 8.5     | 9.5     | 60                      | 2M      |
| PXC-AM-80-60   | 80 × 60                           | 8.5     | 9.5     | 60                      | 2M      |
| PXC-AM-80-80   | 80 × 80                           | 8.5     | 9.5     | 48                      | 2M      |
| PXC-AM-80-100  | 80 × 100                          | 8.5     | 9.5     | 48                      | 2M      |
| PXC-AM-100-50  | 100 × 50                          | 8.5     | 14.5    | 60                      | 2M      |
| PXC-AM-100-60  | 100 × 60                          | 8.5     | 14.5    | 60                      | 2M      |
| PXC-AM-100-80  | 100 × 80                          | 8.5     | 14.5    | 48                      | 2M      |
| PXC-AM-100-100 | 100 × 100                         | 8.5     | 14.5    | 36                      | 2M      |
| -              | -                                 | -       | -       | -                       | -       |
| -              | -                                 | -       | -       | -                       | -       |
| -              | -                                 | -       | -       | -                       | -       |
| -              | -                                 | -       | -       | -                       | -       |
| -              | -                                 | -       | -       | -                       | -       |
| -              | -                                 | -       | -       | -                       | -       |
| -              | -                                 | -       | -       | -                       | -       |
| -              | -                                 | -       | -       | -                       | -       |
| -              | -                                 | -       | -       | -                       | -       |



## 绝缘配线槽(全封闭)PXC-AU系列

### INSULATED DISTRIBUTION TROUGH PXC-AU series

#### ■ 材质 Materials

采用环保硬质PVC，通过ROHS认证，不含铅等有害物质，低烟、环保

Manufactured with high quality rigid PVC, ROHS compliant, low smoke.

#### ■ 防火等级 Flammability rating

UL94V-0

#### ■ 标准 Compliance

符合EN45545, DIN5510-2

#### ■ 工作温度 Temperature

-40°C~90°C

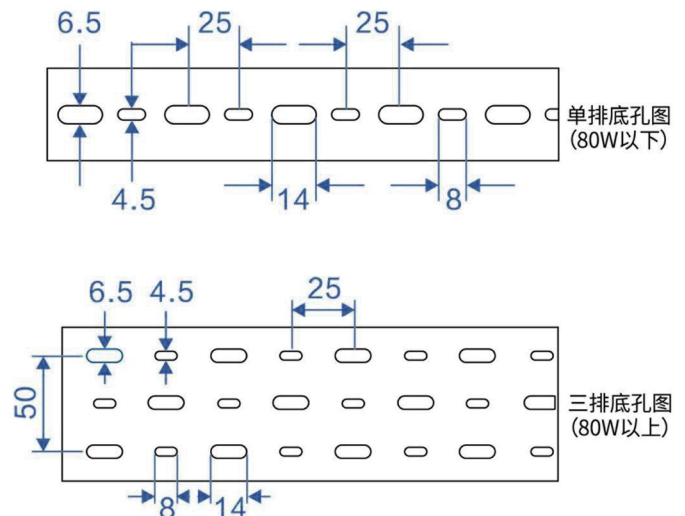
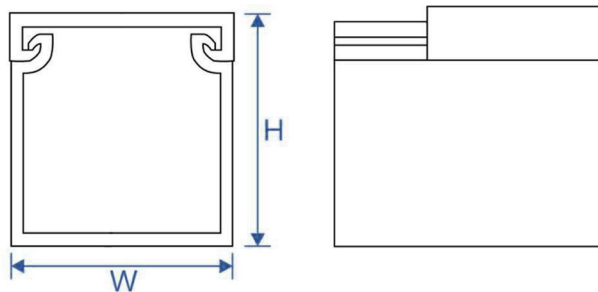
#### ■ 颜色 Color

可定制  
customizable

#### ■ 产品构造 Construction

- 1.槽体与槽盖配合而成，组合容易，不脱落，接合面平滑不伤手。
- 2.槽盖上独特的标记线设计，可使配线标识明确，快捷美观。

- 1.Consist of base and cover, Easy and firm snap-on assembly, smoothjoining for a better finish.
- 2.Special mark line design on the cover can allow a quick tag of relevantcomponents.



| 序号<br>Model  | 产品规格(高×宽)<br>Specification(H × W) | 包装方式(件/米)<br>Pack(pc/M) | 产品规格(高×宽)<br>Specification(H × W) | 包装方式(件/米)<br>Pack(pc/M) |
|--------------|-----------------------------------|-------------------------|-----------------------------------|-------------------------|
| PXC-AU-25-25 | 25 × 25                           | 100                     | 80 × 30                           | 60                      |
| PXC-AU-30-15 | 30 × 15                           | 100                     | 80 × 35                           | 60                      |
| PXC-AU-30-20 | 30 × 20                           | 100                     | 80 × 40                           | 48                      |
| PXC-AU-30-25 | 30 × 25                           | 100                     | 80 × 45                           | 48                      |
| PXC-AU-30-30 | 30 × 30                           | 100                     | 80 × 50                           | 48                      |
| PXC-AU-30-35 | 30 × 35                           | 100                     | 80 × 60                           | 36                      |
| PXC-AU-35-25 | 35 × 25                           | 100                     | 80 × 80                           | 36                      |
| PXC-AU-35-35 | 35 × 35                           | 100                     | 80 × 100                          | 24                      |
| PXC-AU-35-50 | 35 × 50                           | 100                     | 80 × 120                          | 24                      |
| PXC-AU-40-25 | 40 × 25                           | 100                     | 100 × 25                          | 48                      |
| PXC-AU-40-40 | 40 × 40                           | 100                     | 100 × 33                          | 48                      |
| PXC-AU-40-60 | 40 × 60                           | 64                      | 100 × 35                          | 48                      |
| PXC-AU-40-80 | 40 × 80                           | 48                      | 100 × 40                          | 48                      |
| PXC-AU-45-33 | 45 × 33                           | 100                     | 100 × 50                          | 48                      |
| PXC-AU-40-45 | 45 × 45                           | 80                      | 100 × 60                          | 32                      |
| PXC-AU-50-25 | 50 × 25                           | 100                     | 100 × 80                          | 24                      |
| PXC-AU-50-35 | 50 × 35                           | 100                     | 100 × 100                         | 24                      |
| PXC-AU-50-45 | 50 × 45                           | 80                      | 100 × 120                         | 24                      |
| PXC-AU-50-50 | 50 × 50                           | 80                      | 100 × 140                         | 16                      |
| PXC-AU-50-55 | 50 × 55                           | 48                      | 120 × 75                          | 24                      |
| PXC-AU-50-60 | 50 × 60                           | 48                      | 130 × 100                         | 16                      |
| PXC-AU-50-80 | 50 × 80                           | 48                      | 140 × 35                          | 24                      |
| PXC-AU-60-25 | 60 × 25                           | 80                      | 150 × 100                         | 16                      |
| PXC-AU-60-40 | 60 × 40                           | 64                      | -                                 | -                       |
| PXC-AU-60-50 | 60 × 50                           | 48                      | -                                 | -                       |
| PXC-AU-60-55 | 60 × 55                           | 48                      | -                                 | -                       |
| PXC-AU-60-60 | 60 × 60                           | 48                      | -                                 | -                       |
| PXC-AU-60-80 | 60 × 80                           | 36                      | -                                 | -                       |
| PXC-AU-65-33 | 65 × 33                           | 80                      | -                                 | -                       |
| PXC-AU-65-45 | 65 × 45                           | 80                      | -                                 | -                       |
| PXC-AU-65-65 | 65 × 65                           | 48                      | -                                 | -                       |
| PXC-AU-80-25 | 80 × 25                           | 60                      | -                                 | -                       |





## 拨开式线槽/龙骨槽 PXC-AMU系列

PULL OUT WIRE GROOVE  
PXC-AMU series

### ■ 材质 Materials

采用尼龙66材质，环保无污染。

Using nylon 66 material, environmental protection and pollution-free.

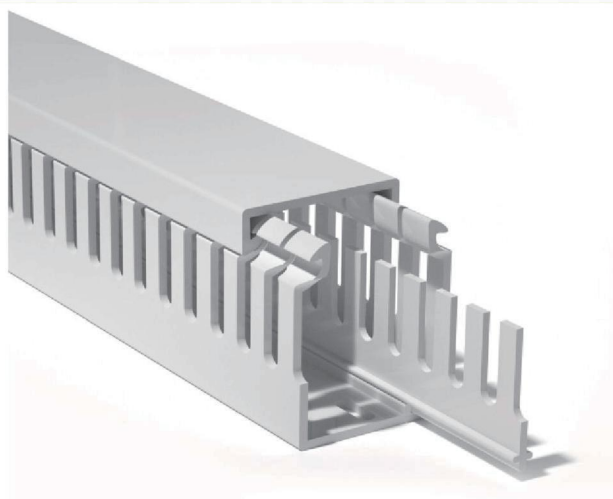
### ■ 防火等级 Flammability rating

UL94V V2，低烟微卤，良好的自熄性，绝缘性特佳。

UL94V V2, low smoke, slightly halogen, good self-extinguishing, Excellent insulation.

### ■ 工作温度 Temperature

-35℃~80℃



## 带隔离双线槽 PXC-AMR系列

DOUBLE TROUGH WITH ISOLATION  
PXC-AMR series

### ■ 材质 Materials

采用环保硬质PVC，通过RoHS认证，不含铅等有害物质，低烟、环保。

Manufactured with high quality rigid PVC, RoHS certified, low smoke.

### ■ 产品构造 Construction

由槽底及槽盖组成，设有出线孔，底部打孔。

Composed of groove bottom and groove cover, with outlet hole, bottom hole.

拨开式线槽/龙骨槽

| 序列号<br>Model      | 产品规格(高×宽)<br>Specification(H×W) | 包装方式(件/厘米)<br>Pack(pc/cm) | 长度<br>CM |
|-------------------|---------------------------------|---------------------------|----------|
| PXC-AMU-20.4-14.4 | 20.4 × 14.4                     | 600                       | 50       |
| PXC-AMU-29-24.9   | 29 × 24.9                       | 300                       | 50       |
| PXC-AMU-39-34.8   | 39 × 34.8                       | 180                       | 50       |

带隔离双线槽

| 序列号<br>Model  | 产品规格(高×宽)<br>Specification(H×W) | 包装方式(件/厘米)<br>Pack(pc/cm) | 长度<br>M |
|---------------|---------------------------------|---------------------------|---------|
| PXC-AMR-50-35 | 50 × 35                         | 100                       | 2       |
| PXC-AMR-50-40 | 50 × 40                         | 100                       | 2       |
| PXC-AMR-50-50 | 50 × 50                         | 100                       | 2       |
| PXC-AMR-75-50 | 75 × 50                         | 60                        | 2       |



## 白色装潢用行线槽PXC-AMUR系列

### WHITE DECORATIVE LINE GROOVE PXC-AMUR series

■ **材质** Materials

采用PVC塑料制造，具有绝缘、防弧、阻燃自熄。

Made of PVC plastic, with insulation, Arc proof, flame retardant self extinguishing.

■ **防火等级** Flammability rating

-40℃~90℃

■ **标准** Compliance

符合EN45545, DIN5510-2

■ **产品构造** Construction

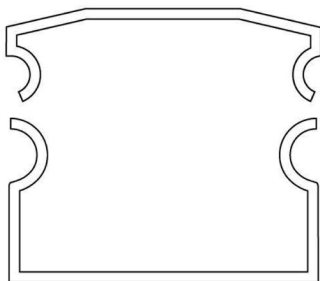
由槽底及槽盖组成，全封闭。

Composed of groove bottom and groove cover, fully closed.

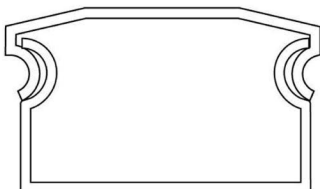
■ **工作温度** Temperature

-40℃~90℃

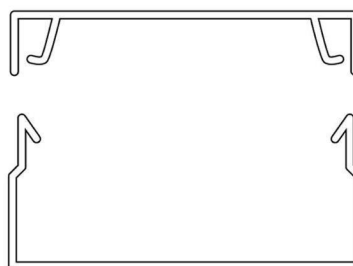
■ **图形** Diagram



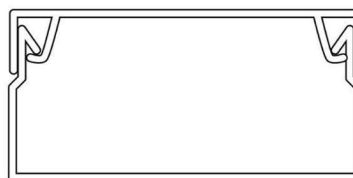
江苏型



■ **图形** Diagram



广东型



| 序列号<br>Model     | 产品规格(高×宽)<br>Specification(H × W) | 包装方式(件/米)<br>Pack(pc/M) | 长度<br>M |
|------------------|-----------------------------------|-------------------------|---------|
| PXC-AMUR-10-15   | 10 × 15                           | 200                     | 2M      |
| PXC-AMUR-10-20   | 10 × 20                           | 200                     | 2M      |
| PXC-AMUR-10-25   | 10 × 25                           | 200                     | 2M      |
| PXC-AMUR-15-15   | 15 × 15                           | 200                     | 2M      |
| PXC-AMUR-15-25   | 15 × 25                           | 200                     | 2M      |
| PXC-AMUR-30-30   | 20 × 30                           | 100                     | 2M      |
| PXC-AMUR-20-35   | 20 × 35                           | 100                     | 2M      |
| PXC-AMUR-20-40   | 20 × 40                           | 100                     | 2M      |
| PXC-AMUR-20-50   | 20 × 50                           | 100                     | 2M      |
| PXC-AMUR-25-25   | 25 × 25                           | 200                     | 2M      |
| PXC-AMUR-25-40   | 25 × 40                           | 100                     | 2M      |
| PXC-AMUR-30-50   | 30 × 50                           | 100                     | 2M      |
| PXC-AMUR-30-60   | 30 × 60                           | 100                     | 2M      |
| PXC-AMUR-30-80   | 30 × 80                           | 60                      | 2M      |
| PXC-AMUR-30-100  | 30 × 100                          | 60                      | 2M      |
| PXC-AMUR-40-40   | 40 × 40                           | 100                     | 2M      |
| PXC-AMUR-40-60   | 40 × 60                           | 100                     | 2M      |
| PXC-AMUR-50-50   | 50 × 50                           | 100                     | 2M      |
| PXC-AMUR-50-80   | 50 × 80                           | 60                      | 2M      |
| PXC-AMUR-50-100  | 50 × 100                          | 60                      | 2M      |
| PXC-AMUR-60-60   | 60 × 60                           | 60                      | 2M      |
| PXC-AMUR-60-80   | 60 × 80                           | 60                      | 2M      |
| PXC-AMUR-60-100  | 60 × 100                          | 50                      | 2M      |
| PXC-AMUR-80-80   | 80 × 80                           | 36                      | 2M      |
| PXC-AMUR-80-100  | 80 × 100                          | 36                      | 2M      |
| PXC-AMUR-100-100 | 100 × 100                         | 36                      | 2M      |
| -                | -                                 | -                       | -       |
| -                | -                                 | -                       | -       |
| -                | -                                 | -                       | -       |
| -                | -                                 | -                       | -       |
| -                | -                                 | -                       | -       |
| -                | -                                 | -                       | -       |



**浙江威利坚科技股份有限公司**  
ZHEJIANG VEKON TECHNOLOGY CO., LTD.



(+86) 17300995175



[www.vekon.global](http://www.vekon.global)



[info@vekon.global](mailto:info@vekon.global)



No. 99, Binhainan Third Road, Yueqing Economic  
Development Zone, Zhejiang Province, China