

### SOT-23 Plastic-Encapsulate Transistors

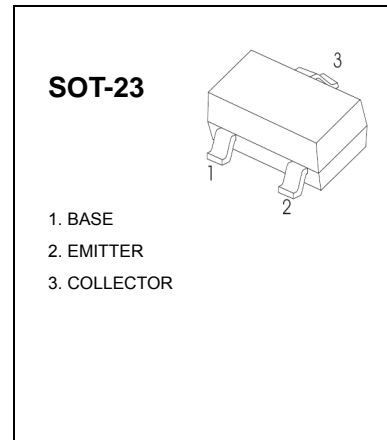
**BC856A, B** TRANSISTOR (PNP)

**BC857A, B,C**

**BC858A, B,C**

#### FEATURES

- Ideally suited for automatic insertion
- For Switching and AF Amplifier Applications



#### MAXIMUM RATINGS (T<sub>a</sub>=25°C unless otherwise noted)

Symbol	Parameter	Value	Unit
V <sub>CB0</sub>	Collector-Base Voltage		
	BC856	-80	V
	BC857	-50	
BC858	-30		
V <sub>CEO</sub>	Collector-Emitter Voltage		
	BC856	-65	V
	BC857	-45	
BC858	-30		
V <sub>EB0</sub>	Emitter-Base Voltage	-5	V
I <sub>C</sub>	Collector Current –Continuous	-0.1	A
P <sub>C</sub>	Collector Power Dissipation	200	mW
T <sub>J</sub>	Junction Temperature	150	°C
T <sub>stg</sub>	Storage Temperature	-65-150	°C

#### DEVICE MARKING

BC856A=3A; BC856B=3B;  
BC857A=3E; BC857B=3F; BC857C=3G;  
BC858A=3J; BC858B=3K; BC858C=3L

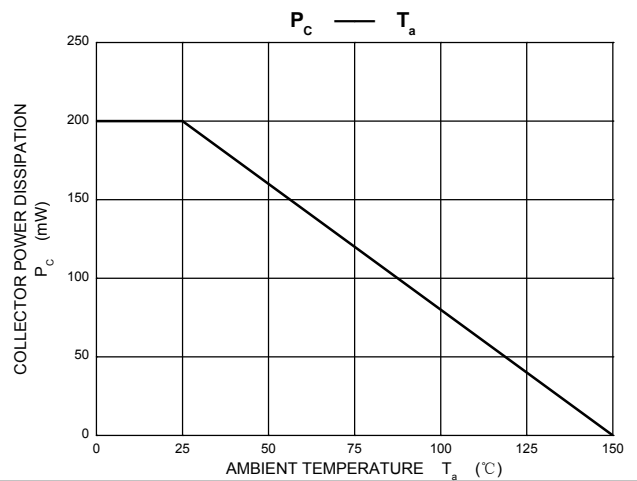
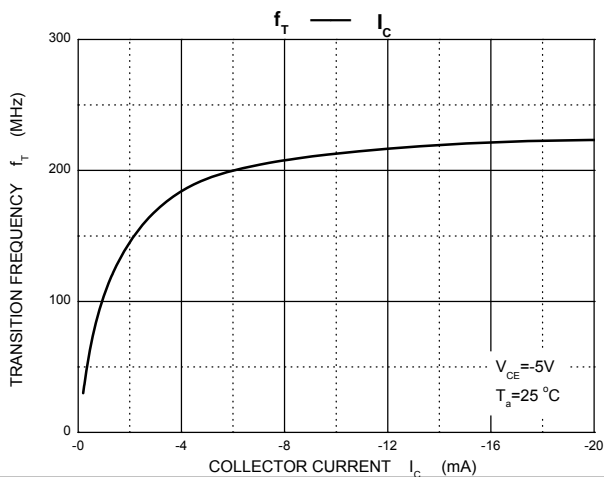
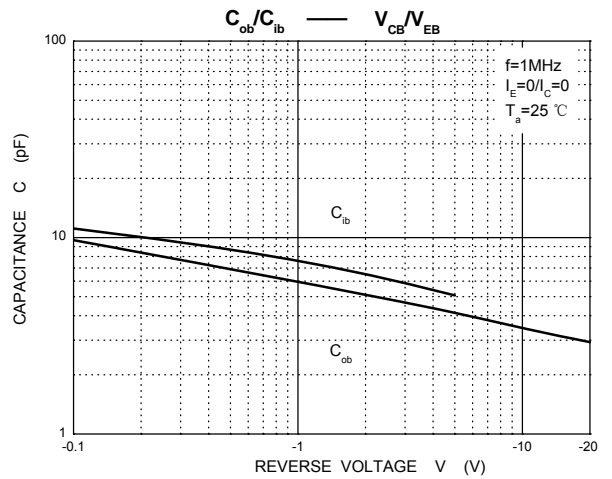
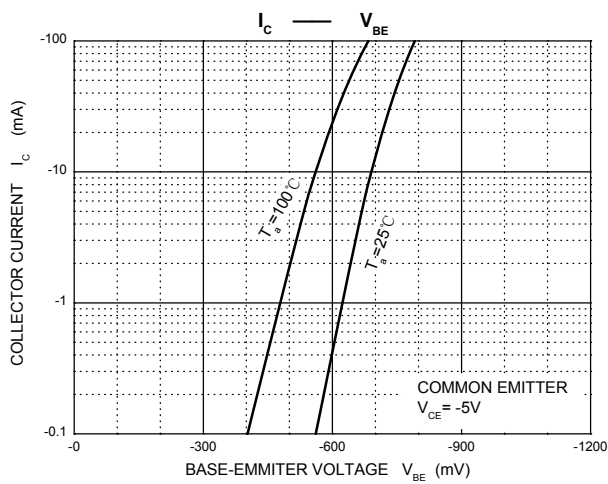
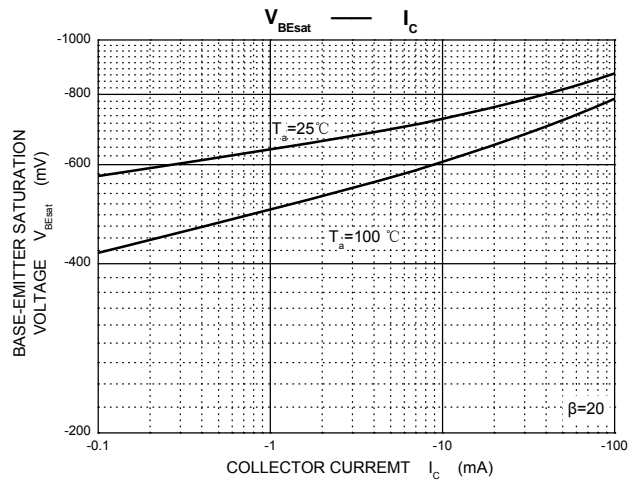
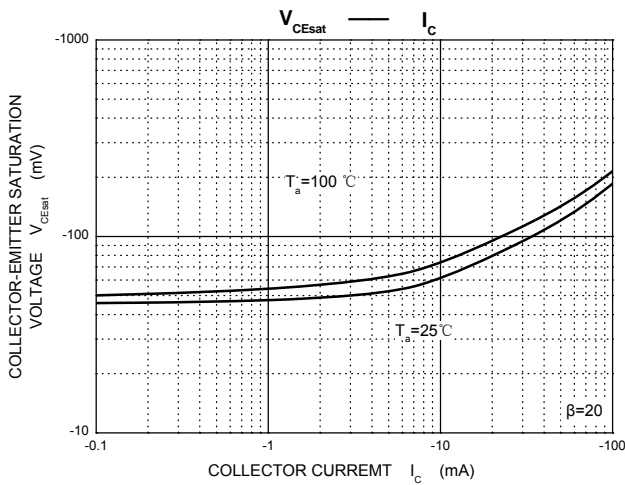
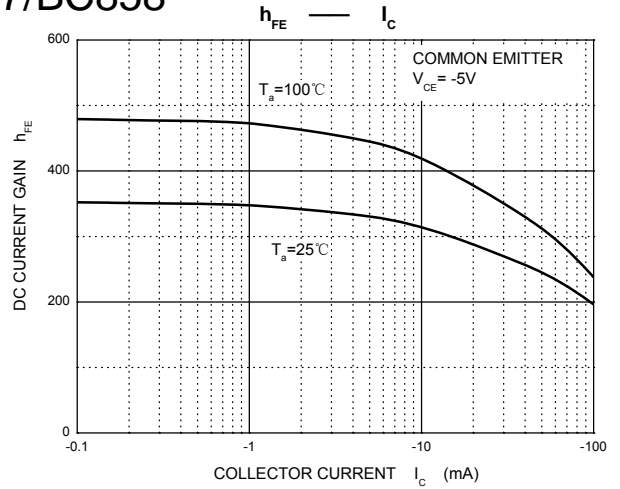
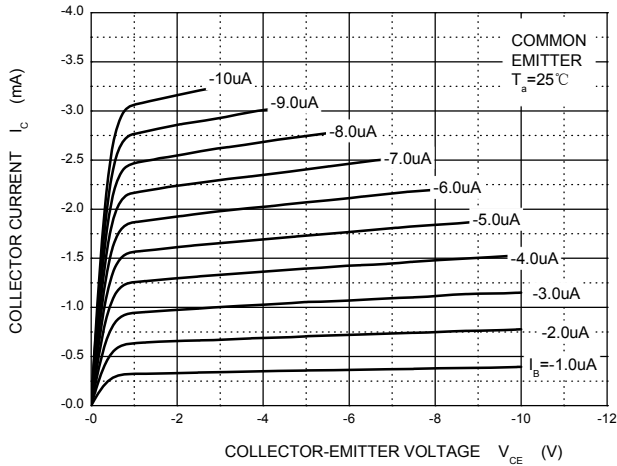
## SOT-23 Plastic-Encapsulate Transistors

ELECTRICAL CHARACTERISTICS (T<sub>a</sub>=25°C unless otherwise specified)

Parameter	Symbol	Test conditions	Min	Max	Unit
Collector-base breakdown voltage	BC856 BC857 BC858	V <sub>CBO</sub> I <sub>C</sub> = -10μA, I <sub>E</sub> =0	-80 -50 -30		V
Collector-emitter breakdown voltage	BC856 BC857 BC858	V <sub>CEO</sub> I <sub>C</sub> = -10mA, I <sub>B</sub> =0	-65 -45 -30		V
Emitter-base breakdown voltage		V <sub>EBO</sub> I <sub>E</sub> = -1μA, I <sub>C</sub> =0	-5		V
Collector cut-off current	BC856 BC857 BC858	I <sub>CBO</sub> V <sub>CB</sub> = -70 V, I <sub>E</sub> =0 V <sub>CB</sub> = -45 V, I <sub>E</sub> =0 V <sub>CB</sub> = -25 V, I <sub>E</sub> =0		-0.1	μA
Collector cut-off current	BC856 BC857 BC858	I <sub>CEO</sub> V <sub>CE</sub> = -60 V, I <sub>B</sub> =0 V <sub>CE</sub> = -40 V, I <sub>B</sub> =0 V <sub>CE</sub> = -25 V, I <sub>B</sub> =0		-0.1	μA
Emitter cut-off current		I <sub>EBO</sub> V <sub>EB</sub> = -5 V, I <sub>C</sub> =0		-0.1	μA
DC current gain	BC856A, 857A,858A BC856B, 857B,858B BC857C,BC858C	h <sub>FE</sub> V <sub>CE</sub> = -5V, I <sub>C</sub> = -2mA	125 220 420	250 475 800	
Collector-emitter saturation voltage		V <sub>CE(sat)</sub> I <sub>C</sub> =-100mA, I <sub>B</sub> = -5 mA		-0.5	V
Base-emitter saturation voltage		V <sub>BE(sat)</sub> I <sub>C</sub> = -100mA, I <sub>B</sub> = -5mA		-1.1	V
Transition frequency		f <sub>T</sub> V <sub>CE</sub> = -5 V, I <sub>C</sub> = -10mA f=100MHz	100		MHz
Collector capacitance		C <sub>ob</sub> V <sub>CB</sub> =-10V, f=1MHz		4.5	pF

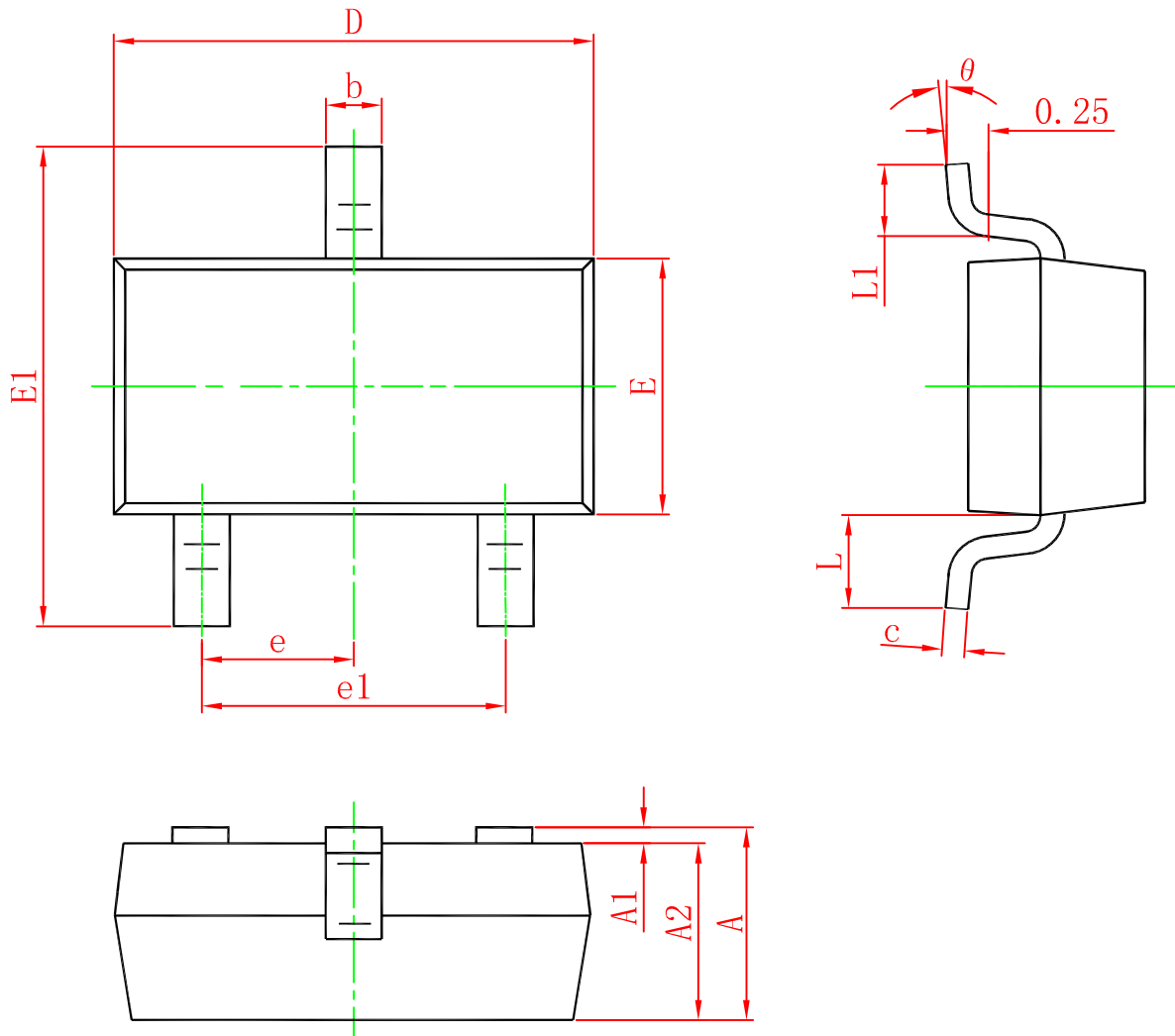
Typical Characteristics BC856/BC857/BC858

Static Characteristic



## SOT-23 Plastic-Encapsulate Transistors

### SOT-23 PACKAGE OUTLINE DIMENSIONS



Symbol	Dimensions In Millimeters		Dimensions In Inches	
	Min.	Max.	Min.	Max.
A	0.900	1.150	0.035	0.045
A1	0.000	0.100	0.000	0.004
A2	0.900	1.050	0.035	0.041
b	0.300	0.500	0.012	0.020
c	0.080	0.150	0.003	0.006
D	2.800	3.000	0.110	0.118
E	1.200	1.400	0.047	0.055
E1	2.250	2.550	0.089	0.100
e	0.950 TYP.		0.037 TYP.	
e1	1.800	2.000	0.071	0.079
L	0.550 REF.		0.022 REF.	
L1	0.300	0.500	0.012	0.020
$\theta$	0°	8°	0°	8°