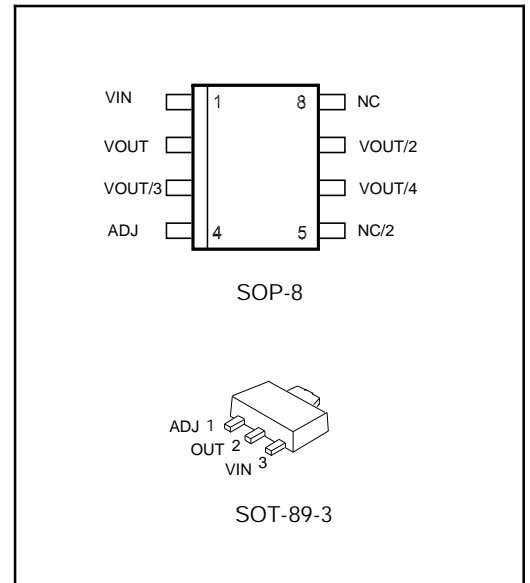


DESCRIPTION

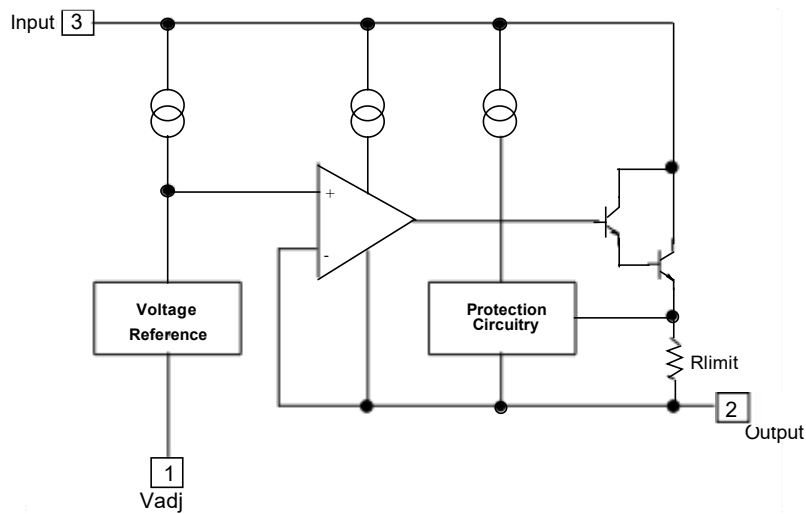
This monolithic integrated circuit is an adjustable 3-terminal positive voltage regulator designed to supply more than 0.1A of load current with an output voltage adjustable over a 1.2 to 37V. It employs internal current limiting, thermal shut-down and safe area compensation.

FEATURE

- ⌘ Internal thermal overload protection
- ⌘ Internal short circuit current limiting
- ⌘ Output transistor safe operating area compensation



Internal Block Diagram



Absolute Maximum Ratings

| Symbol | Parameter | | Value | Unit |
|-----------------------|---|--------|---------|------|
| V_I-V_O | Input-Output Voltage Differential | | 40 | V |
| T_{LEAD} | Lead Temperature | | 230 | °C |
| P_D | Power Dissipation | SOT-89 | 400 | mW |
| | | SOP-8 | 400 | |
| T_J | Operating Junction Temperature Range | | 0~125 | °C |
| T_{stg} | Storage Temperature Range | | -55~125 | |
| $\Delta V_O/\Delta T$ | Temperature Coefficient of Output Voltage | | ±0.02 | %/°C |

ELECTRICAL CHARACTERISTICS

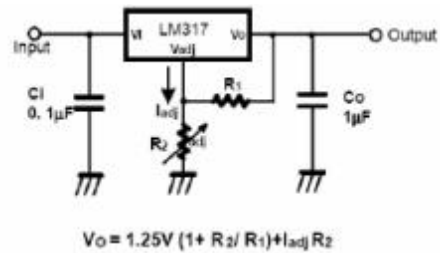
($V_O-V_I=5V, I_O=0.5A, 0^\circ C \leq T_J \leq +125^\circ C, I_{MAX}=1.5A, P_{DMAX}=20W$, unless otherwise specified)

| Parameter | Symbol | Test conditions | MIN | TYP | MAX | UNIT |
|---|------------------|--|------|-----------|-----------|----------|
| Line Regulation(note1) | R_{line} | $T_A=25^\circ C$ $3V \leq V_I-V_O \leq 40V$ | | 0.01 | 0.04 | %V |
| | | $3V \leq V_I-V_O \leq 40V$ | | 0.02 | 0.07 | |
| Load Regulation(note1) | R_{load} | $T_A=25^\circ C, 10mA \leq I_O \leq I_{MAX}$ $V_O < 5V$ $V_O \geq 5V$ | | 18 0.4 | 25 0.5 | mV |
| | | $10mA \leq I_O \leq I_{MAX}$ $V_O < 5V$ $V_O \geq 5V$ | | 40 0.8 | 70 1.5 | % V_O |
| Adjustable Pin Current | I_{ADJ} | - | | 46 | 100 | μA |
| Adjustable Pin Current Change | ΔI_{ADJ} | $3V \leq V_I-V_O \leq 40V$ $10mA \leq I_O \leq I_{MAX}, P_D \leq P_{MAX}$ | | 0.2 | 5 | |
| Reference Voltage | V_{REF} | $3V \leq V_I-V_O \leq 40V$ $10mA \leq I_O \leq I_{MAX}, P_D \leq P_{MAX}$ | 1.20 | 1.25 | 1.30 | V |
| Temperature Stability | ST_T | - | | 0.7 | | %/ V_O |
| Minimum Load Current to Maintain Regulation | $I_{L(MIN)}$ | $V_I-V_O=40V$ | | 3.5 | 5 | mA |
| Maximum Output Current | $I_{O(MAX)}$ | $V_I-V_O \leq 3-13V, P_D \leq P_{MAX}$ $V_I-V_O \leq 40V, P_D \leq P_{MAX}$ | 100 | 200 50 | | mA |
| RMS Noise,% of V_{OUT} | e_N | $T_A=25^\circ C, 10Hz \leq f \leq 10KHz$ | | 0.003 | 0.01 | %/ V_O |
| Ripple Rejection | RR | $V_O=10V, f=120Hz$ without C_{ADJ} $C_{ADJ}=10\mu F$ (note2) | 66 | 65 80 | | dB |
| Long-Term Stability, $T_J=T_{HIGH}$ | ST | $T_A=25^\circ C$ for end point measurements, 1000 HR | | 0.3 | 1 | % |
| Thermal Resistance Junction to case | $R_{\theta JC}$ | - | | 5 | | °C/W |

Notes:

- Load and line regulation are specified at constant junction temperature. Change in V_D due to heating effects must be taken into account separately. Pulse testing with low duty is used. ($P_{MAX}=20W$)
- C_{ADJ} - when used, is connected between the adjustment pin and ground.

Typical Application

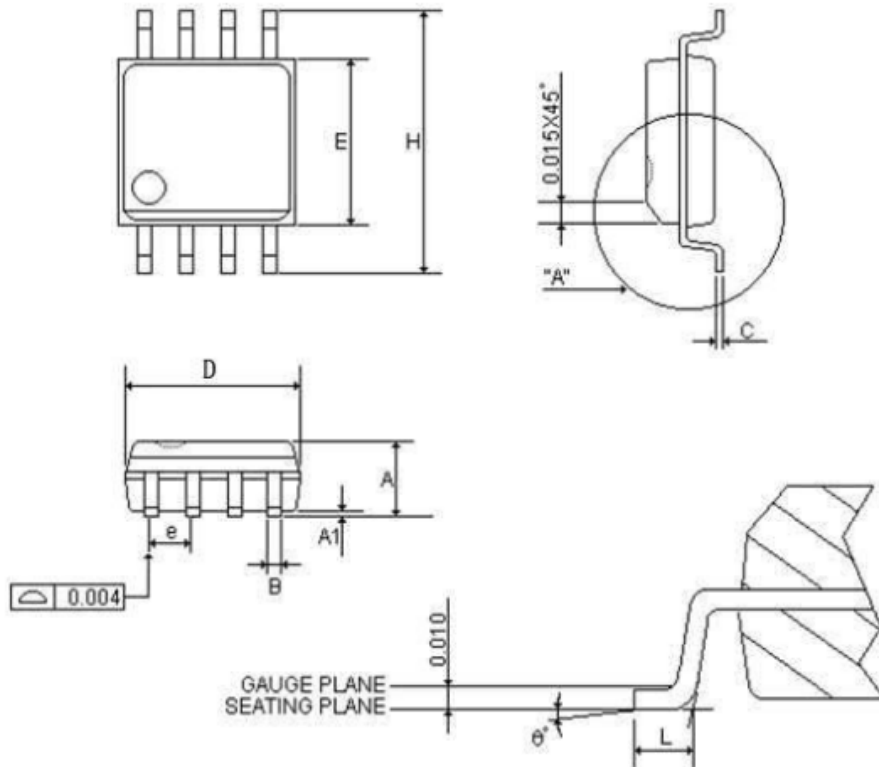


C_i is required when regulator is located an appreciable distance from power supply filter.

C_o is not needed for stability, however, it does improve transient response.

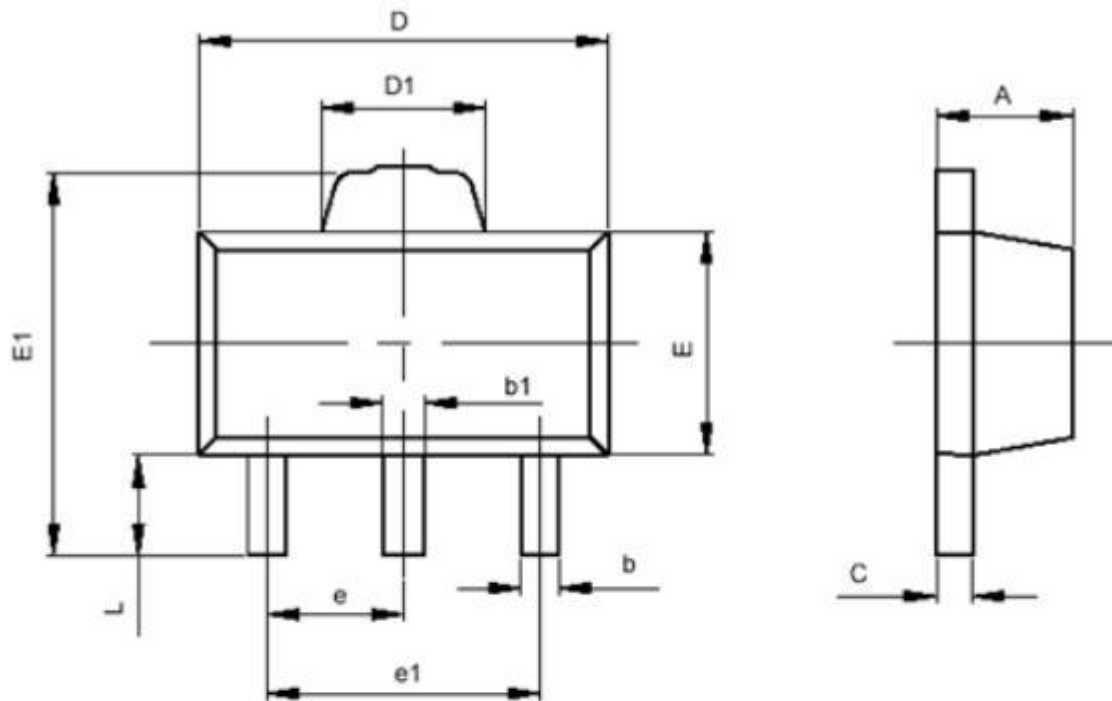
Since I_{ADJ} is controlled to less than $100\mu A$, the error associated with this term is negligible in most applications.

SOP-8



| SYMBOLS | MIN | NOR | MAX | MIN | NOR | MAX |
|---------|--------|-------|--------|--------|--------|--------|
| | (inch) | | | (mm) | | |
| A | 0.058 | 0.064 | 0.068 | 1.4732 | 1.6256 | 1.7272 |
| A1 | 0.004 | - | 0.010 | 0.1016 | - | 0.254 |
| B | 0.013 | 0.016 | 0.020 | 0.3302 | 0.4064 | 0.508 |
| C | 0.0075 | 0.008 | 0.0098 | 0.1905 | 0.2032 | 0.2490 |
| D | 0.186 | 0.191 | 0.196 | 5.9944 | 6.1214 | 6.1976 |
| E | 0.150 | 0.154 | 0.157 | 3.81 | 3.9116 | 3.9878 |
| e | - | 0.050 | - | - | 1.27 | - |
| H | 0.228 | 0.236 | 0.244 | 5.7912 | 5.9944 | 6.1976 |
| L | 0.015 | 0.025 | 0.050 | 0.381 | 0.635 | 1.27 |
| 0° | 0° | - | 8° | 0° | - | 8° |

SOT-89-3



| 符号 | 最小值 (mm) | 最大值 (mm) |
|----|------------|------------|
| A | 1.400 | 1.600 |
| b | 0.320 | 0.520 |
| b1 | 0.360 | 0.560 |
| c | 0.350 | 0.440 |
| D | 4.400 | 4.600 |
| D1 | 1.400 | 1.800 |
| E | 2.300 | 2.600 |
| E1 | 3.940 | 4.250 |
| e | 1.500TYP | |
| e1 | 2.900 | 3.100 |
| L | 0.900 | 1.100 |

Ordering information

| Order Code | Package | Baseqty | Deliverymode |
|-------------------|----------------|----------------|---------------------|
| LM317LD | SOP-8 | 2500 | Tape and reel |
| LM317LIPK | SOT-89 | 1000 | Tape and reel |

聲明:

- 我公司保留說明書更改權利，恕不另行通知；
- 任何半導體產品特性條件下都有一定失效或者發生故障的可能，買方有責任在使用我司產品進行系統設計和整機製造時遵守安全標準并採取安全措施，以避免潛在失敗風險可能造成人身傷害或財產損失情況的發生；
- 產品提升永無止境，我司將竭誠為客戶提供更優秀的半導體產品。