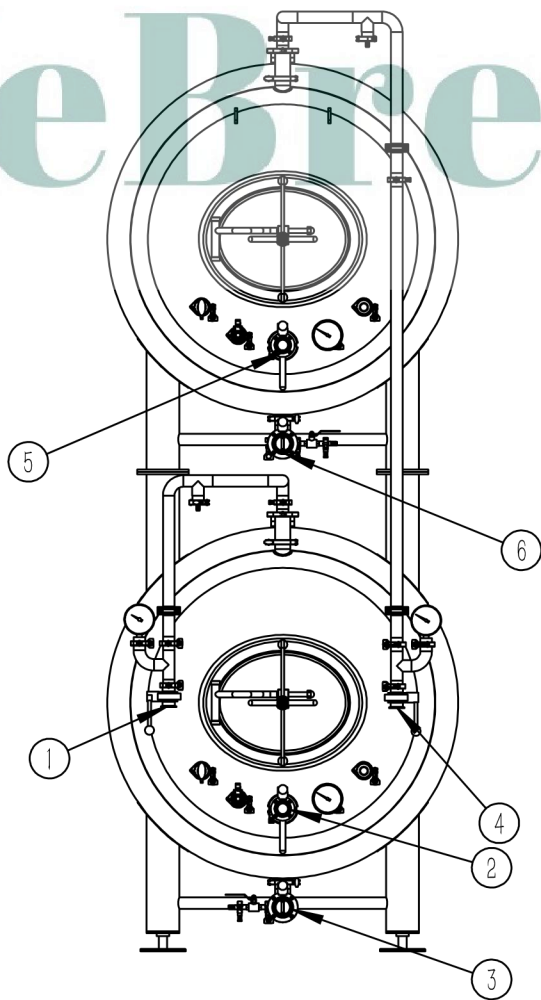


WeBrew

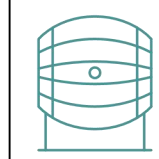


Connections

Mark	DN	Description	Connect Size	Remarks
1	1.5"	CIP Arm	ø38.1x1.5	ISO
2	1.5"	Racking Arm	ø38.1x1.5	ISO
3	2"	Drain	ø50.8x1.5	ISO
4	1.5"	CIP Arm	ø38.1x1.5	ISO
5	1.5"	Racking Arm	ø38.1x1.5	ISO
6	2"	Drain	ø50.8x1.5	ISO

Design Data

Equipment Name	Inner Diameter øA(Inch)	Outer Diameter øB(Inch)	Height C(Inch)	Weight (Lbs)	Glycol Jacket Max Volume (Gallon)	Working Pressure (Psi)	
						Vessel	Jacket
3.5BBL	ø25"	ø31"	95"	760	1.5	22	45
5BBL	ø30"	ø36"	105"	1075	2.0	22	45
7BBL	ø35"	ø41"	115"	1460	2.5	22	45
10BBL	ø35"	ø41"	115"	1800	4.5	22	45
15BBL	ø45"	ø51"	140"	2255	4.0	22	45
20BBL	ø50"	ø56"	145"	2780	5.0	22	45
30BBL	ø60"	ø65"	160"	3360	6.5	22	45
40BBL	ø65"	ø71"	180"	4490	7.5	22	45



WeBrew

Stacked
Lagering Tank